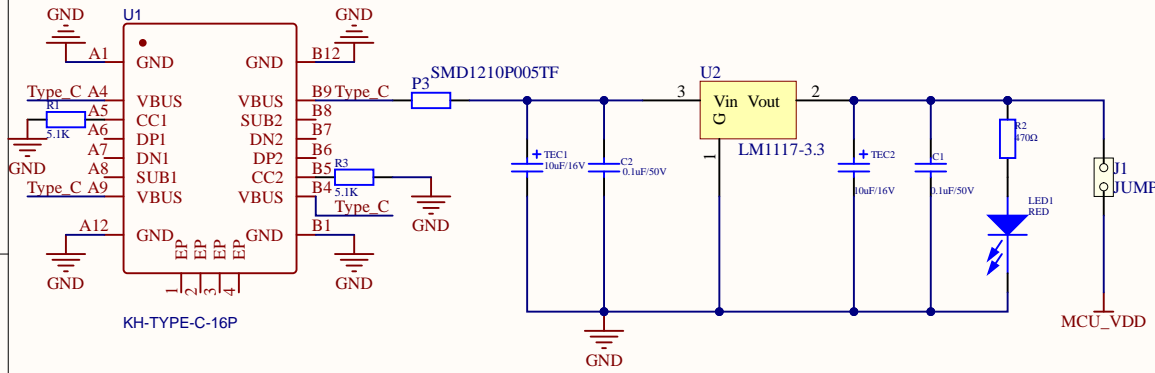
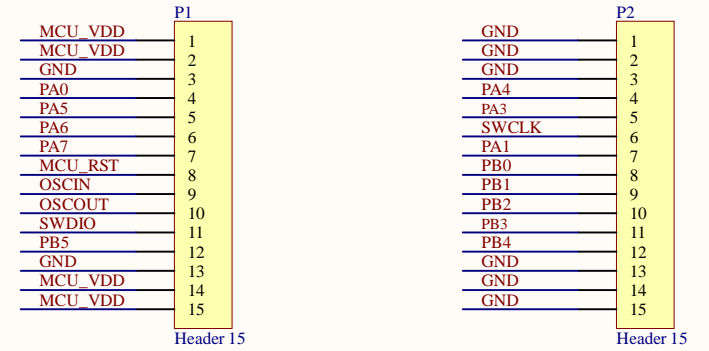


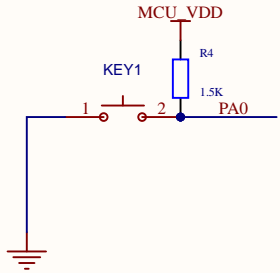
Power



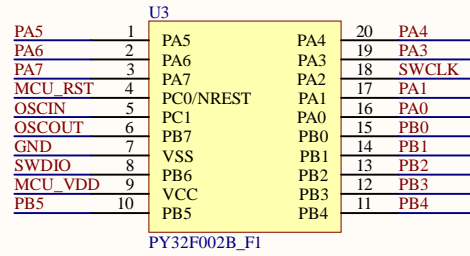
Extension Pin



Key



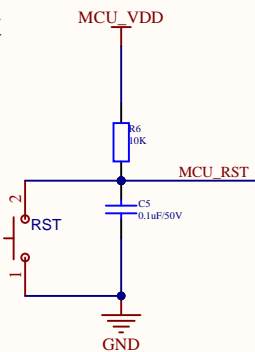
Mcu



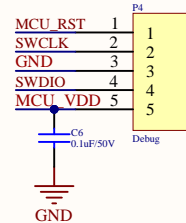
LED



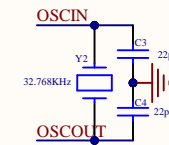
Reset



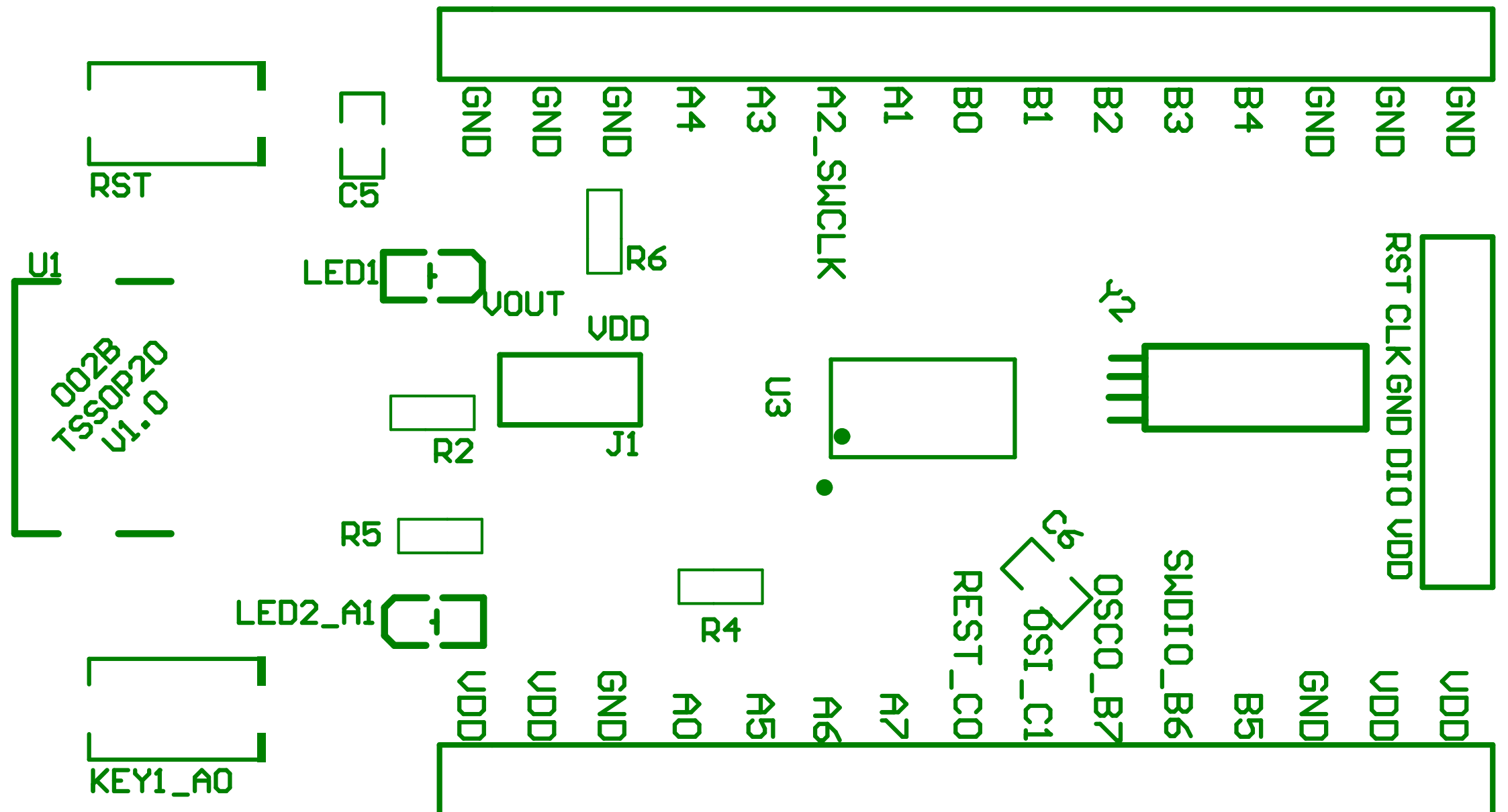
Debug

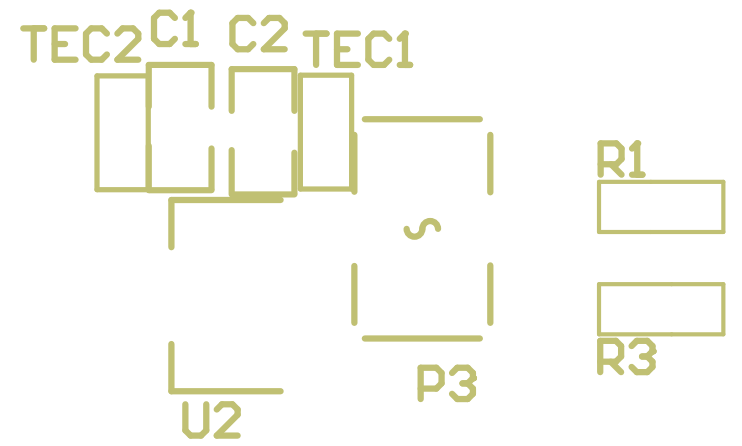


OSC



Title		
Size	Number	Revision
A4		
Date:	3/10/2023	Sheet of
File:	F:\ME\...\PY32F002B_StartKit_V1.0.Sch	Drawn By:





Board Stack Report